

# Ultrasonic Level Transmitter for Hazardous Area- UltraXI



It is used for continuous level measurement of hazardous liquids in zone zero environment. It is ideal for corrosive applications such as diesel, fuel oil, non-fuming hazardous chemicals.

## Salient Features:

- Compact & easy to install
- Easy to program
- False echoes elimination
- Zone temperature compensation

## Construction & Operation:

It consists of an ultrasonic transducer integral with microcontroller based electronics housed in an enclosure. Ultrasonic pulses emitted from the transducer to the target are reflected back and sensed by the electronics to provide 4-20 mA DC current + HART output.

## Specifications:

Measuring Mode	: Level
Models	: <b>UltraXI-6</b> and <b>UltraXI-10</b>
Measuring Range	UltraXI-6 : 0.25 to 6 mtrs UltraXI-10 : 0.4 to 10 mtrs
Blanking Distance/Beam Angle	UltraXI-6 : 0.25 mtrs/14° UltraXI-10 : 0.4 mtrs/10°
Optg. Frequency	UltraXI-6 : 75 KHz UltraXI-10 : 50 KHz
Power Supply	: 18-30VDC
Analog Output	: 4-20 mA DC + HART
Max. Load	: 270 Ohm
Display	: 5 digit, yellow, LED display
Accuracy	: 0.15% FS
Enclosure	: Plastic, IP67
Transducer	: PVDF
Cable Size	: PVC 2 x 0.75 mm <sup>2</sup>
Process Connection	UltraXI-6 : 1-1/2" BSP with 4"ANSI flange x PP UltraXI-10 : 2-1/4" BSP with 3"ANSI flange x PP
Amb. Temp Range	: -30 to 60 °C
Max. Optg. Pressure	: 1 bar

## Area classification (according to EN 60079-10 & EN 60079-14)

**Ultra XI-6** : Suitable for explosive areas (combustible gases or vapors) II 1/2G Ex ia IIB T5 Ga/Gb with Safety Barrier, the whole transmitter- zone 1, front head part – zone 0

**Ultra XI-10**: Suitable for explosive areas (combustible gases or vapors) II 1/2G Ex ia IIA T5 Ga/Gb with Safety Barrier, the whole transmitter - zone 1, head part – zone 0

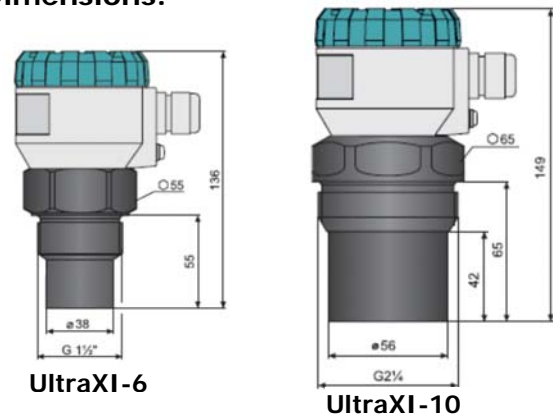
## Technical data for selection of Safety Barrier

Max. Internal Values:  $U_i=30V$  DC;  $I_i=132mA$ ;  $P_i=0,99W$ ;  $C_i=370nF$ ;  $L_i=0,9mH$

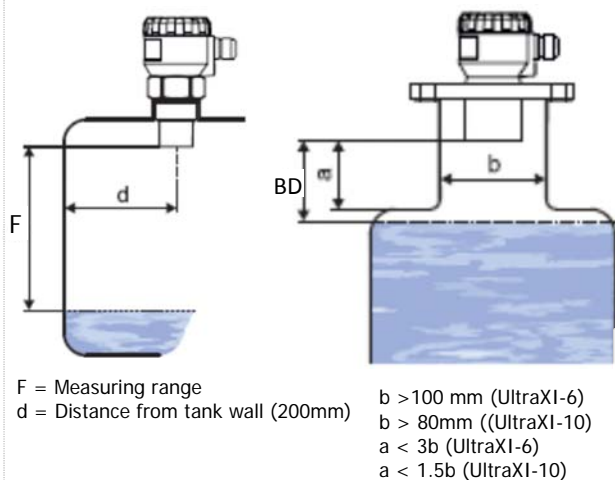
**Ordering Information:** Model No x Liquid x Operating Temperature & Pressure.



## Dimensions:



## Installation:



All dimensions in mm except specified

**Pune Techtrol Pvt Ltd** [CIN : U31909PN1991PTC063403]

S-18, MIDC, Bhosari, Pune - 411026. India. Ph: +91-20-66342900, [ho@punetechtrol.com](mailto:ho@punetechtrol.com), [www.punetechtrol.com](http://www.punetechtrol.com)

Works: J-52/7, MIDC, Bhosari, Pune - 411026. India +91-20-67313600

CAT/117/REV 00/04-18