

Techtrol RF Admittance Level Switch - RFA

Techtrol™
Innovating Level Controls Since 1984

Consists of a Sensing Probe with Electronic Control unit Integral with the Probe. The sensing probe comprises of 3 elements viz. Sensing rod, SS Coatguard Shield and PTFE Insulation for powders & slurries and Ceramic Insulation for heavy duty applications. The combination of electronics and coat guard technique provides immunity against material built-up on the probe & container wall.

Salient Features :

- High reliability, as coat guard technique ignores material built-up on the probe.
- Ease to calibrate & install
- Suits highly dusty environment
- Field selectable operation logic to configure either High or Low level switching
- Economic solution for critical applications

Specifications :

Sensing Probe:

Probe Type	: Standard or Heavy Duty
Std. Probe Length	: 300 mm (Standard), 350 mm (Heavy Duty)
Max Probe Length	: upto 1000 mm (Rigid), upto 3000 mm (Flexible)
Sense Rod	: SS304
Coat Guard Shield	: SS304
Extnd Grounding	: GI or SS304
Insulation	: a) PTFE -150°C (std), 200°C (High temp with standoff) b) Ceramic-150°C (std), ≥200°C (High temp with standoff)
Max. Optg. Temp	: upto 150°C (Std/heavy duty probe) upto 200°C Temp Standoff (Std/heavy duty probe) upto 450°C Temp Standoff (Heavy duty, Two Part) upto 600°C with Radiating Fins (Heavy duty, Two Part)
Mounting	: Top/ Side
Process Connection	: Screwed- 1½" BSP(M), Flanged- 1½" NB ANSI 150#
Enclosure	: Cast Al IP66 x PG 13.5 Cable Gland (Polyamide) or Cast Al Exd Gr. IIB x 1/2" NPT Cable Gland (Brass)

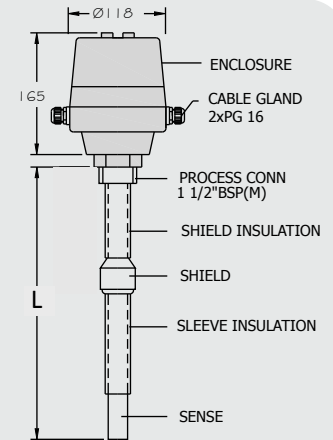
Control Unit :

Enclosure x Cable Entry	: 1) Cast Al IP66 (Integral or Two Part Sys) x 2 nos, PG 13.5 Cable Gland (Polyamide) : 2) Cast Al. Exd IIB (Two Part Sys) x 2 nos, ½" NPT Cable Gland (Brass)
Ambient Temp.	: 0°C to 60°C
Supply	: 110 or 230 VAC, 50 Hz (±10%) or 24 VDC
Power	: 2 VA
Output	: Relay x DPDT, 5A, 250 VAC (Resistive Load)
Switching Delay (optional)	: Continuously adjustable from 2 to 20 secs probe free and covered
Safety Operation	: Field selectable switch (FSL/FSH) for min or max switching
LED Display	: Green- Normal; Red- Alarm; Yellow- Power On
Signal Cable	: 2 core, PVC insulated, low capacitance, co-axial cable with additional drain wire.

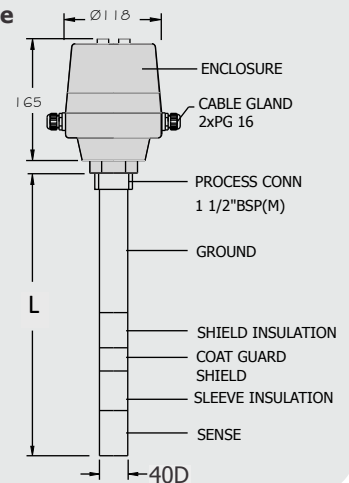
Refer Separate Catalog of Disc Type RF Admittance 'DRFA' for Blocked Chute Detection



Standard Probe with Integral Switching Unit



Heavy Duty Probe with Integral Switching Unit



Applications :

Cement, Sand, Lime, Soda Ash, Fly Ash, Coal Powder, Talcum Powder, Milk/ Chocolate Powder, Coffee, Sugar, Salt, Resin Powder & Pellets, Grain & Grain Slurry, Grain Flour, Paddy Husk, Corn Stalk, Molasses, Fruit Pulp, Tomato Paste, Butter, Fish Food, Sludge, Chemical/ Solvent Slurry, Molten Naptha, Sewage, Cream/Lotion, Aluminium Chips, Clinker.

Model Identification :

	RFA -							x L mm
System								
Integral (Standalone)	I							
Two Part	T							
Probe type								
SS304 Rigid standard		1						
SS304 Rigid heavy duty		2						
GI Flexible standard		3						
GI Flexible heavy duty		4						
SS304 Flexible standard		5						
SS304 Flexible heavy duty		6						
Others		0						
Probe Enclosure x Control Unit Enclosure								
Cast Al IP66 (Syt I)			1					
Cast Al IP66 x Cast Al IP66 (Syt T)			2					
Cast Al Exd Gr IIB x Cast Al IP66 (Syt T)			3					
Others			0					
Process Connection								
SS304 Screwed 1-1/2" BSP (M)				1				
SS304 Flanged 1-1/2" NB, ANSI 150#				2				
Others				0				
Extended Grounding								
Without					W			
GI					G			
SS304					N			
Max. Operating Temperature								
upto 150°C Standard						R		
upto 200 °C with Temp Standoff						T		
upto 450 °C with Temp Standoff (Two Part & Rigid Heavy Duty Probe)						H		
upto 600 °C with Radiating Fins (Two Part & Rigid Heavy Duty Probe)						V		
Supply								
110 VAC							1	
230 VAC							2	
24 VDC							3	

Ordering Information : Model No, Operating Temperature, Service Medium x Bulk Density x Insertion Length

All dimensions in mm except specified

Pune Techtrol Pvt Ltd

[CIN : U31909PN1991PTC063403]



S-18, MIDC, Bhosari, Pune - 411026. India

+91-20-66342900 ho@punetechtrol.com www.punetechtrol.com

Works : J-52/7, MIDC, Bhosari, Pune - 411026. India +91-20-67313600

Custom built specs./options available on demand.

We reserve the right to modify design and specifications without prior notice.



CAT/0066/REV 06/01-2021

INSPIRE | 1976367223