

# Miniature Float Pivoted Switches- **MFPS** series

They are compact, economical and reliable level switches used for level detection in small tank /machine/equipment where limited space is available inside /outside.

## Construction & Operation

Each switch consists of a float with a trim carrying magnet and moving around a pivot on the switch enclosure. During rising & falling of liquid, float follows the liquid level and actuates the reed switch. It is side mounted to the tank wall.

**Reversible switch action** - is achieved in few models by 180° switch rotation.

## Services & Applications

Water, hydrocarbons, edible oils, acids & alkalies, vending machines for food, beverage, tea & coffee, chiller compressor, plastic extruder, spark erosion/ special pupose/ hydraulic machines, humidifier, dosing equipments for water/ effluent treatment plants and bilge level control in ships.

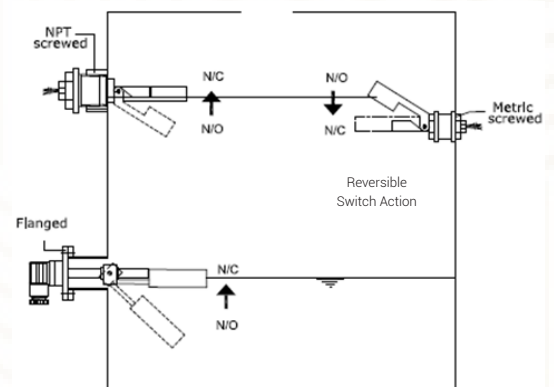


Dosing Tanks in Water Treatment Plant



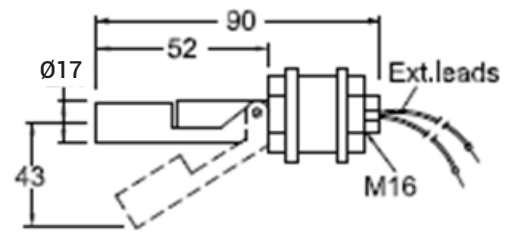
Plastic Extruder

## Installation



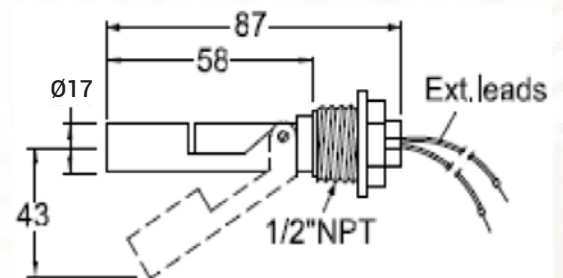
# MFPS - Q12E

Liquid Sp. gr. Min	: 0.7
Temperature Max	: 70 °C
Test Pressure Max	: 1 Kg/cm <sup>2</sup>
MOC	: PP
Float	: Ø17
Connection	: M16 with washer & locknut
Switch Capacity	: 10 VA (NO)
Switch Action	: NO to NC
Reversible Sw. Action	: Yes
Differential	: ±3 mm
Switching Voltage Max	: 140 VAC/200 VDC
Switching Current Max	: 0.5 A
Termination	: 300 mm extrn. leads



# MFPS - Q15E

Liquid Sp. gr. Min	: 0.7
Temperature Max	: 70 °C
Test Pressure Max	: 1 Kg/cm <sup>2</sup>
MOC	: PP
Float	: Ø17
Connection	: 1/2"NPT (M)
Switch Capacity	: 10 VA (NO)
Switch Action	: NO to NC
Reversible Sw. Action	: Yes
Differential	: ±3 mm
Switching Voltage Max	: 140 VAC/200 VDC
Switching Current Max	: 0.5 A
Termination	: 300 mm extrn. leads

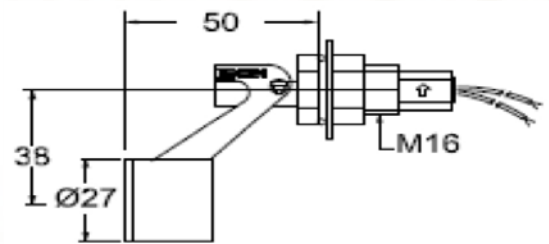


## MFFPS - Q13E (Specially designed for coolant filtration tank)

Liquid Sp. gr. Min	: 0.7
Temperature Max	: 70 °C
Test Pressure Max	: 1 Kg/cm <sup>2</sup>
MOC	: PP
Float	: Ø27
Connection	: M16 with washer & locknut
Switch Capacity	: 10 VA (NO)
Switch Action	: NC to NO
Reversible Sw. Action	: No
Differential	: ±3 mm
Switching Voltage Max	: 140 VAC/200 VDC
Switching Current Max	: 0.5 A
Termination	: 300 mm extrn. leads

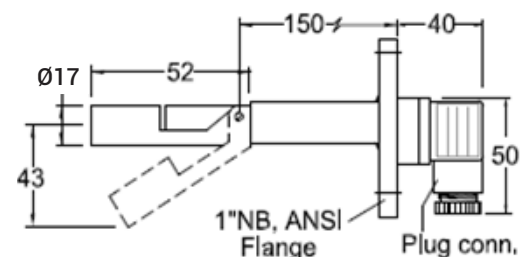
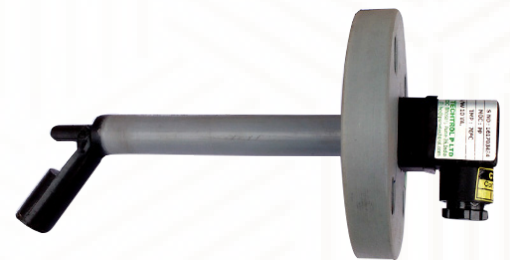


Specially designed float trim prevents deposition of iron particles/shavings around the pivot which inhibits switch operation.



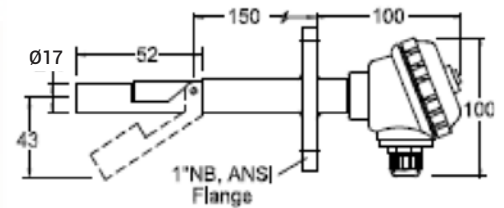
## MFPS - Q12C

Liquid Sp. gr. Min	: 0.7
Temperature Max	: 70 °C
Test Pressure Max	: 1 Kg/cm <sup>2</sup>
MOC	: PP
Float	: Ø17
Connection	: 1"NB ASME 150# Flange
Switch Capacity	: 10 VA (NO)
Switch Action	: NO to NC
Reversible Sw. Action	: No
Differential	: ±3 mm
Switching Voltage Max	: 140 VAC/200 VDC
Switching Current Max	: 0.5 A
Termination	: Plug In Connector



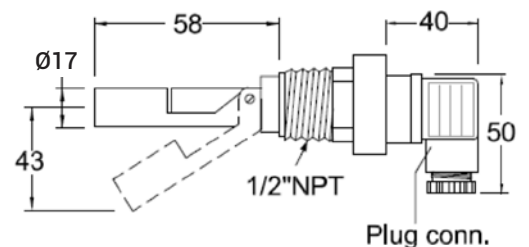
## MFPS - Q12J

Liquid Sp. gr. Min	: 0.7
Temperature Max	: 70 °C
Test Pressure Max	: 1 Kg/cm <sup>2</sup>
MOC	: PP
Float	: Ø17
Connection	: 1"NB ASME 150# Flange
Switch Capacity	: 10 VA (NO)
Switch Action	: NO to NC
Reversible Sw. Action	: No
Differential	: ±3 mm
Switching Voltage Max	: 140 VAC/200 VDC
Switching Current Max	: 0.5 A
Termination	: Cast Al. Enclosure IP66



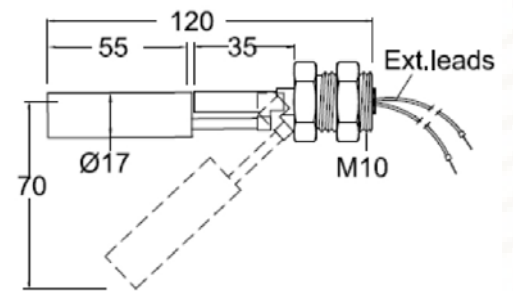
## MFPS - Q15C

Liquid Sp. gr. Min	: 0.7
Temperature Max	: 70 °C
Test Pressure Max	: 1 Kg/cm <sup>2</sup>
MOC	: PP
Float	: Ø17
Connection	: ½"NPT (M)
Switch Capacity	: 10 VA (NO)
Switch Action	: NO to NC
Reversible Sw. Action	: No
Differential	: ±3 mm
Switching Voltage Max	: 140 VAC/200 VDC
Switching Current Max	: 0.5 A
Termination	: Plug In Connector



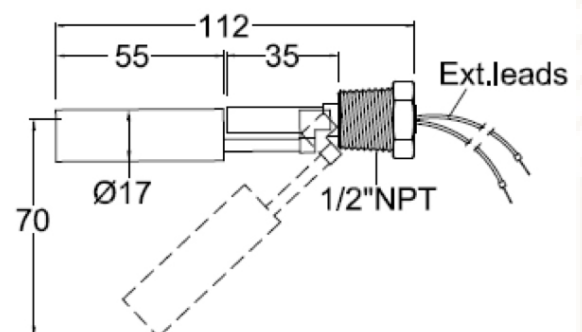
## MFPS - N11E

Liquid Sp. gr. Min	: 0.8
Temperature Max	: 130 °C
Test Pressure Max	: 5 Kg/cm <sup>2</sup>
MOC	: SS304
Float	: Ø17
Connection	: M10 with washer & locknut
Switch Capacity	: 10 VA (NO)
Switch Action	: NO to NC
Reversible Sw. Action	: Yes
Differential	: ±3 mm
Switching Voltage Max	: 140 VAC/200 VDC
Switching Current Max	: 0.5 A
Termination	: 300 mm extn. leads



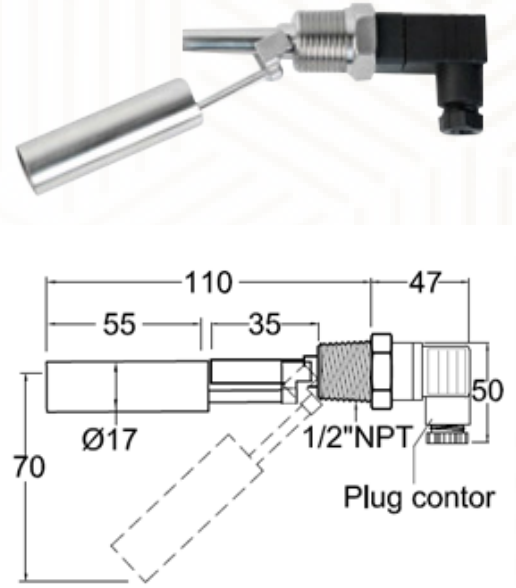
## MFPS - N15E

Liquid Sp. gr. Min	: 0.8
Temperature Max	: 130 °C
Test Pressure Max	: 5 Kg/cm <sup>2</sup>
MOC	: SS304
Float	: Ø17
Connection	: ½"NPT (M)
Switch Capacity	: 10 VA (NO)
Switch Action	: NO to NC
Reversible Sw. Action	: Yes
Differential	: ±3 mm
Switching Voltage Max	: 140 VAC/200 VDC
Switching Current Max	: 0.5 A
Termination	: 300 mm extn. leads



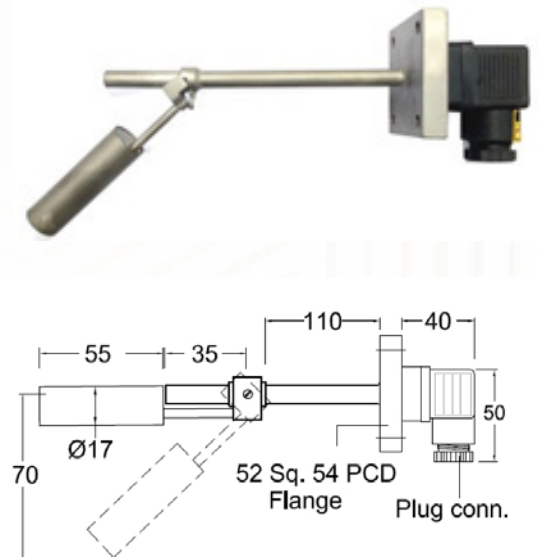
# MFPS - N15C

Liquid Sp. gr. Min	: 0.8
Temperature Max	: 130 °C
Test Pressure Max	: 5 Kg/cm <sup>2</sup>
MOC	: SS304
Float	: Ø17
Connection	: ½"NPT (M)
Switch Capacity	: 10 VA (NO)
Switch Action	: NO to NC
Reversible Sw. Action	: No
Differential	: ±3 mm
Switching Voltage Max	: 140 VAC/200 VDC
Switching Current Max	: 0.5 A
Termination	: Plug In Connector



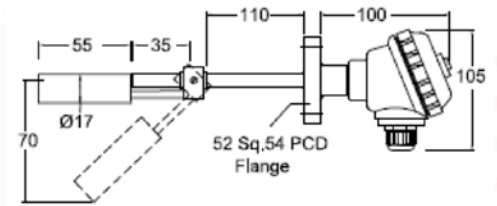
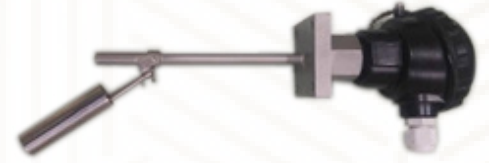
# MFPS - N16C

Liquid Sp. gr. Min	: 0.8
Temperature Max	: 130 °C
Test Pressure Max	: 5 Kg/cm <sup>2</sup>
MOC	: SS304
Float	: Ø17
Connection	: 52 sq. 54 PCD Flange
Switch Capacity	: 10 VA (NO)
Switch Action	: NO to NC
Reversible Sw. Action	: No
Differential	: ±3 mm
Switching Voltage Max	: 140 VAC/200 VDC
Switching Current Max	: 0.5 A
Termination	: Plug In Connector



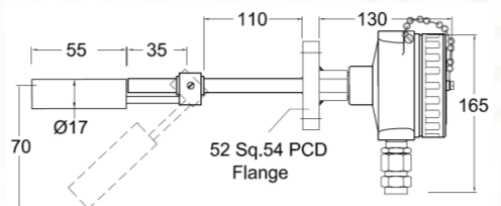
# MFPS-N16J

Liquid Sp. gr. Min	: 0.8
Temperature Max	: 130 °C
Test Pressure Max	: 5 Kg/cm <sup>2</sup>
MOC	: SS304
Float	: Ø17
Connection	: 52 sq. 54 PCD Flange
Switch Capacity	: 10 VA (NO)
Switch Action	: NO to NC
Reversible Sw. Action	: No
Differential	: ±3 mm
Switching Voltage Max	: 140 VAC/200 VDC
Switching Current Max	: 0.5 A
Termination	: Cast Al. Enclosure IP66



# MFPS - N16F

Liquid Sp. gr. Min	: 0.8
Temperature Max	: 130 °C
Test Pressure Max	: 5 Kg/cm <sup>2</sup>
MOC	: SS304
Float	: Ø17
Connection	: 52 sq. 54 PCD Flange
Switch Capacity	: 10 VA (NO)
Switch Action	: NO to NC
Reversible Sw. Action	: No
Differential	: ±3 mm
Switching Voltage Max	: 140 VAC/200 VDC
Switching Current Max	: 0.5 A
Termination	: Cast Al. Enclosure Exd Gr. IIB



All dimensions in mm except specified

## PUNE TECHTROL PVT LTD

[CIN: U31909PN1991PTC063403]

**Regd. & Sales:** S-18, MIDC Bhosari, Pune - 411026, India

**Works:** J-52/7, MIDC Bhosari, Pune - 411026, India

**Tel.:** +91-20-67313600

**Email:** ho@punetechtrol.com

www.punetechtrol.com 



**We Measure the Best for You!**

CAT/0012B/REV 09/11-2021

