

# Techtrol Chamber Float Switch - CFS

A versatile magnetic level switch for liquids with one or two preset levels. Single switch mechanism employed for one preset level and double switch mechanism is employed for two preset levels.

## Salient Features

- Bi-stable switch action
- Choice of Ex-proof Gr. IIC or ATEX enclosure for hazardous areas
- Specially designed float available for interface level detection
- Choice of hermetically sealed switch mechanism
- Option of IBR approval



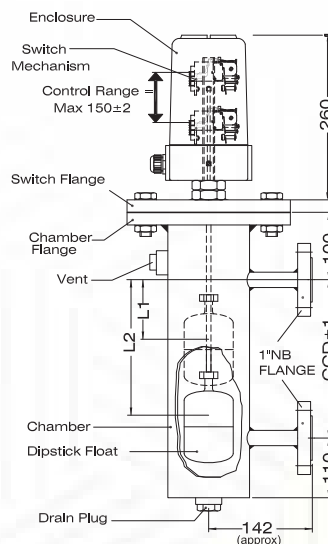
## Construction & Operation

A dipstick float carrying a unique magnetic system at its top end, is housed in a chamber. The float rises and falls corresponding to change in liquid level, which causes magnetic system to actuate a switch mechanism to provide potential free changeover contacts.

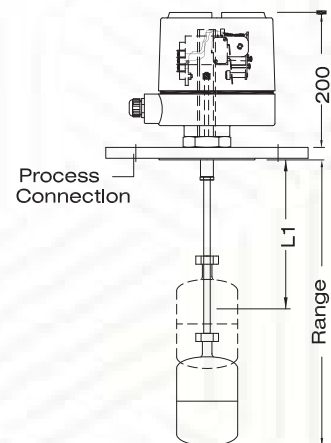
Schematic Diagram

Fig 1

a) With Chamber x Double Switch Mechanism



b) Without Chamber x Single Switch Mechanism



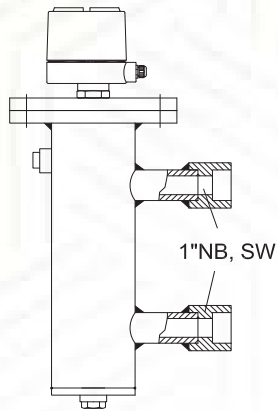
**Important:**

The preset level L1 (single switch mechanism) or L1, L2 (double switch mechanism) should be specified in PO, as they are factory set and cannot be modified at site.

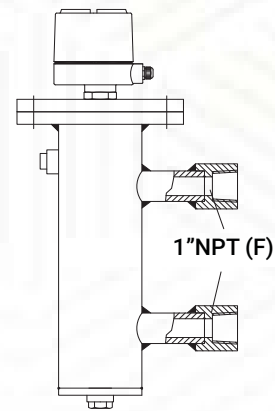
## Specifications

Enclosure x Conduit Conn.	: Cast Al/SS304, IP66 x 3/4"ET or 1/2 NPT cable gland,brass Cast Al.Exd Gr.IIC (CCOE)x 1/2"NPT double compression cable gland, brass or Cast Al. ATEX Ex d IIB or IIC x 1/2"NPT, double compression cable gland, brass
Dipstick Float x Stem	: Ø65 mm x SS304 or SS316
Liquid Specific Gravity	: ≥0.8
Interface Detection	: 0.2 diff. between SG of upper & lower liquid
Switch Mechanism	: Standard Microswitch or Microswitch in Hermetically Sealed Casing(2 x SPDT)
Switch Rating	: 5A, 250 VAC/ <b>24 VDC</b>
Switching Action	: Bi-stable
Preset Levels	: One (L1) with single switch mechanism : Two (L1 & L2) with double switch mechanism
Switch Differential	: 15 ± 5 mm (fixed)
Accuracy	: ± 5 mm
CC Dist. (with chamber)	: 200 to 400 mm (fig 1a)
Range (w/o chamber)	: 200 to 400 mm (fig 1b)
Process Connection (with chamber)	: 25NB Flanged or 1" NPT (F) Screwed or 1"NB SW
Process Connection (w/o chamber)	: 80 NB Flanged x CS A-105, SS304, SS316
Chamber MOC	: CS A-106 or SS304 or SS316
Vent x Drain	: 1/2" NPT Plug x Plug
Ambient Temperature	: 80°C
Max. Optg. Temperature	: 200°C or 300°C (with Radiating Fins)
Max Test Pressure	: 10 Kg/cm <sup>2</sup>
<b>Gasket</b>	<b>: CAF, CNAF, PTFE</b>
<b>Nuts &amp; Bolts</b>	<b>: CS Zinc plated</b>

## Schematic diagram with alternate process connections



1"NB SW Process Conn.

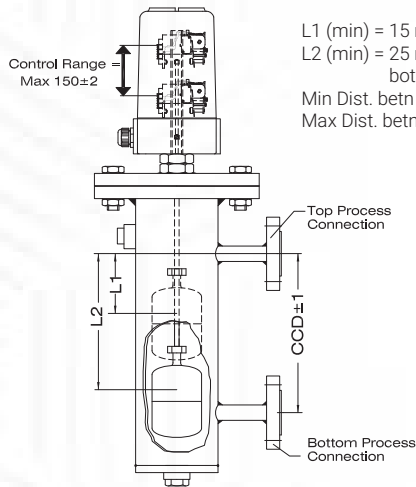


1"NPT (F) Process Conn.

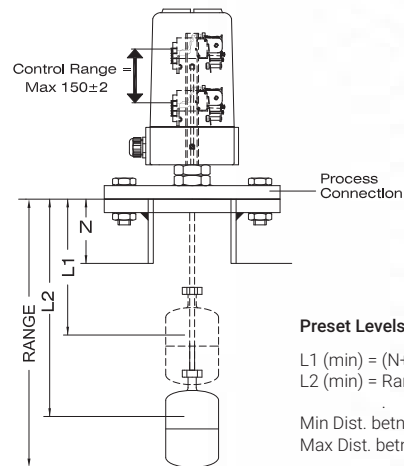
### With Chamber - Min /Max preset levels w.r.t water SG 1

#### Preset Levels

L1 (min) = 15 mm w.r.t center of top pr. conn.  
 L2 (min) = 25 mm from center of bottom pr. conn.  
 Min Dist. betn L1 & L2 = 50 mm  
 Max Dist. betn L1 & L2 = 150 mm



### Without Chamber - Min /Max preset levels w.r.t water SG 1

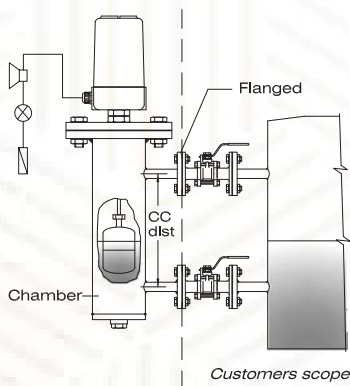


#### Preset Levels w.r.t center of top pr. conn.

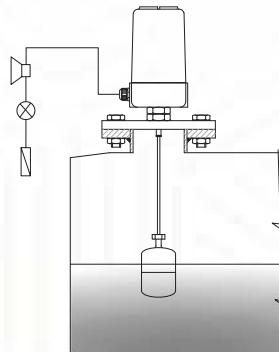
L1 (min) = (N+50) mm  
 L2 (min) = Range -60 mm  
 Min Dist. betn L1 & L2 = 50 mm  
 Max Dist. betn L1 & L2 = 150 mm

## Installation

### With Chamber



### Without Chamber



## Applications

Separators, Storage tanks,  
 Drainage Systems, Heat  
 Exchangers, Boilers,  
 Concentrators.



<b>8. Max. Temperature</b>		
200 °C	S	
300 °C with radiating fins	H	
<b>9. Gasket</b>		
Not Provided	W	
CAF	1	
CNAF	2	
PTFE	3	
Others	0	
<b>10. Nuts &amp; Bolts</b>		
Not Provided	W	
CS, Zinc plated	1	
Others	0	

## Ordering Information

**With Chamber:** Model No x Liquid & its SG. x Optg. Temp & Pressure x Preset Levels x CC distance

**Without Chamber:** Model No x Liquid & its SG. X Optg. Temp & Pressure x Preset Levels x Range

### PUNE TECHTROL PVT LTD

Regd. & Sales: S-18, MIDC Bhosari, Pune - 411026, India

Works: J-52/7, MIDC Bhosari, Pune - 411026, India

Tel.: +91-20-67313600 | ho@punetechtrol.com

www.punetechtrol.com



*We Measure the Best for You!*

CAT/0016/REV05/01-2021